

KT7F-Q2 7 Inch Industrial Embedded Ultra Flat IP65 Touch Monitor



Waterproof Full Flat IP65 Seamless Front

- 7", 1024x600, 16:9 Aspect Ratio
- Frame: Industrial Grade Aluminium Alloy
- Inches Available: 7 inch to 21.5 inch
- Color: Black or Silver
- OEM, OEM Supported

☀️ **Optional: Sunlight Readable(1000cd/m² Brightness)**

Feature



- Embedded Holes
- Embedded Holes
- Speakers
- VESA Holes (75*75mm, 100*100mm)

OEM/ODM:
Enclosure Size
Whole Waterproof
5G WIFI



Interfaces

Support VGA,HDMI,DVI Automatic Identification Signal Channel

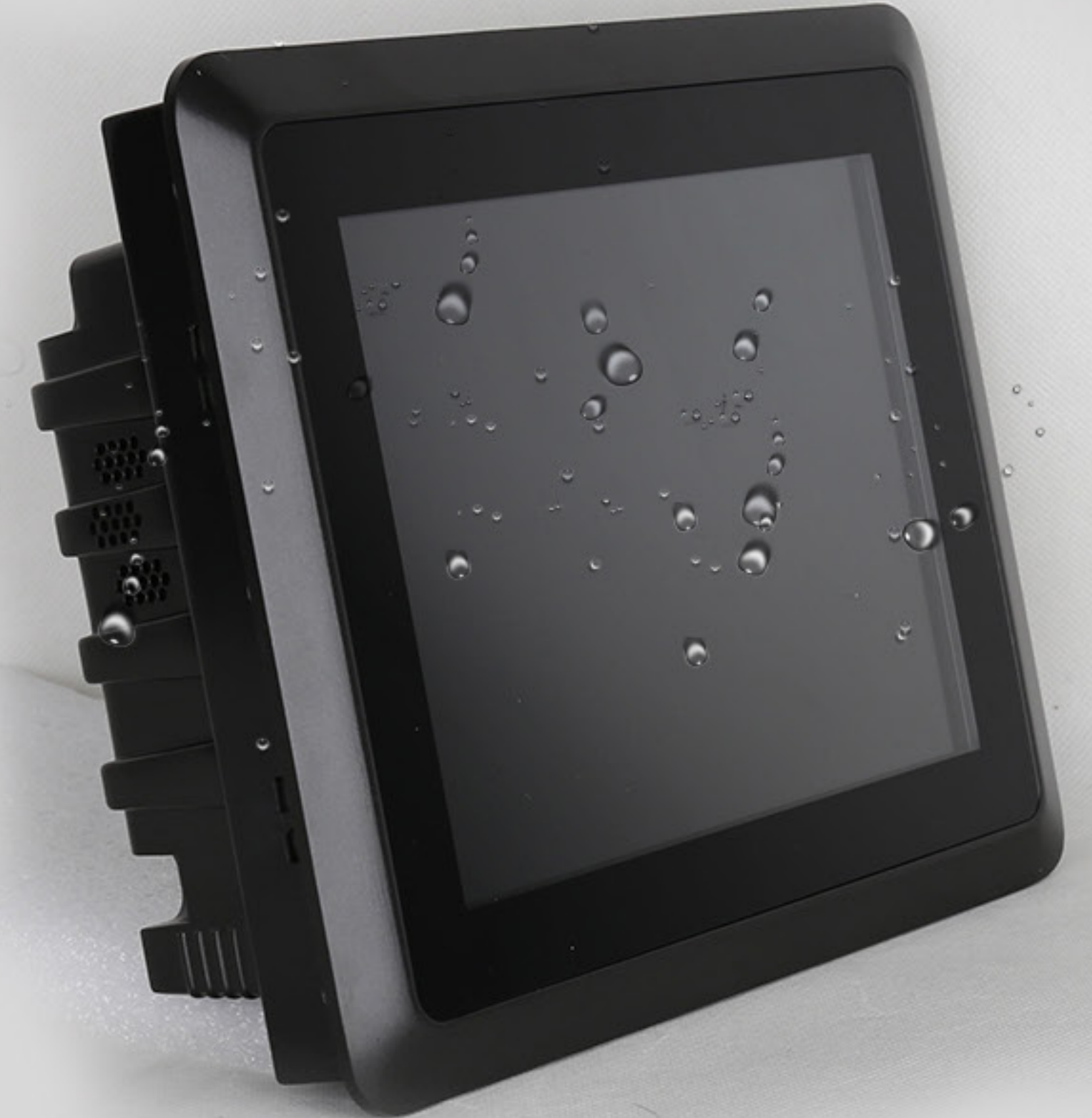
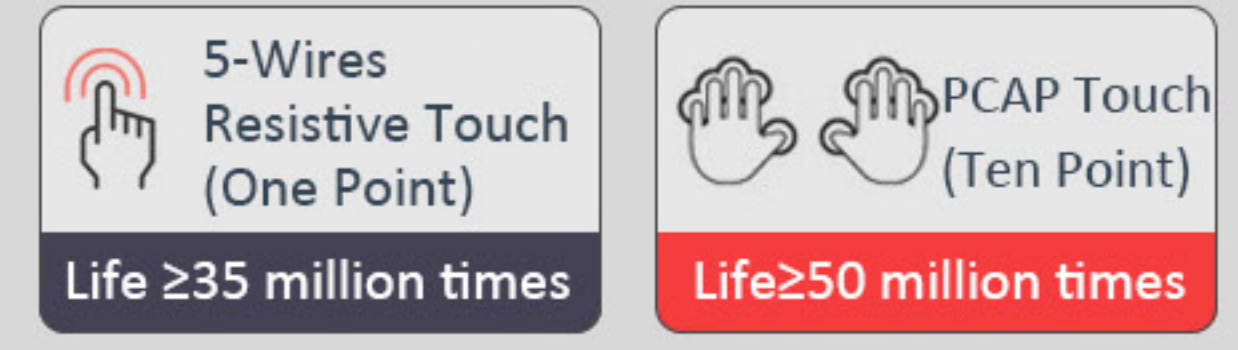


Customized Interface

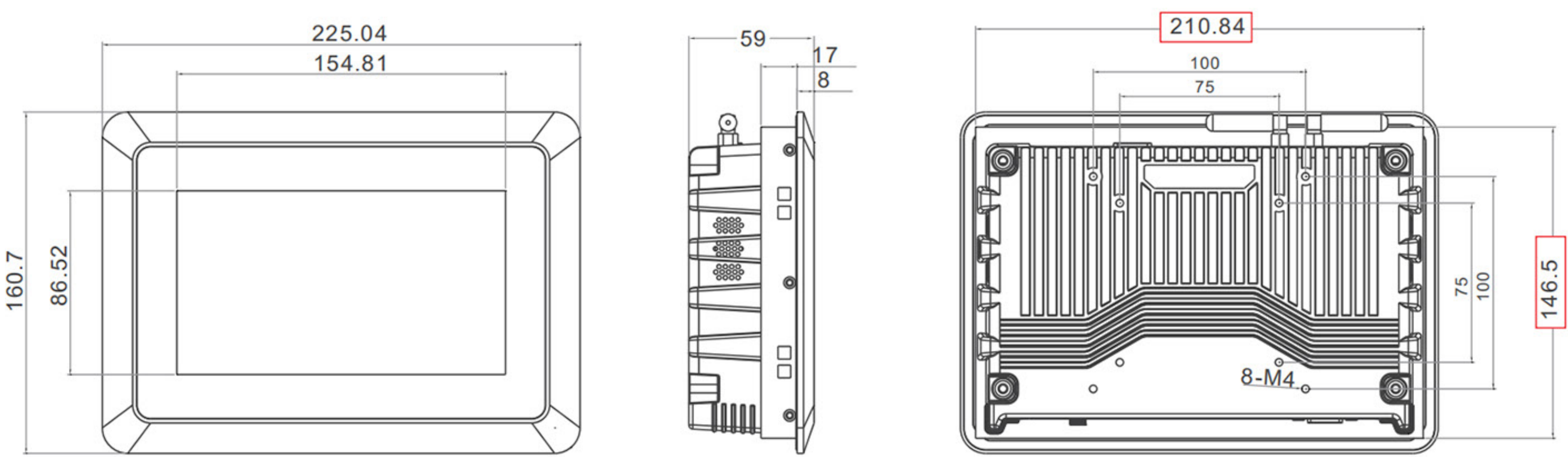


Touch Type

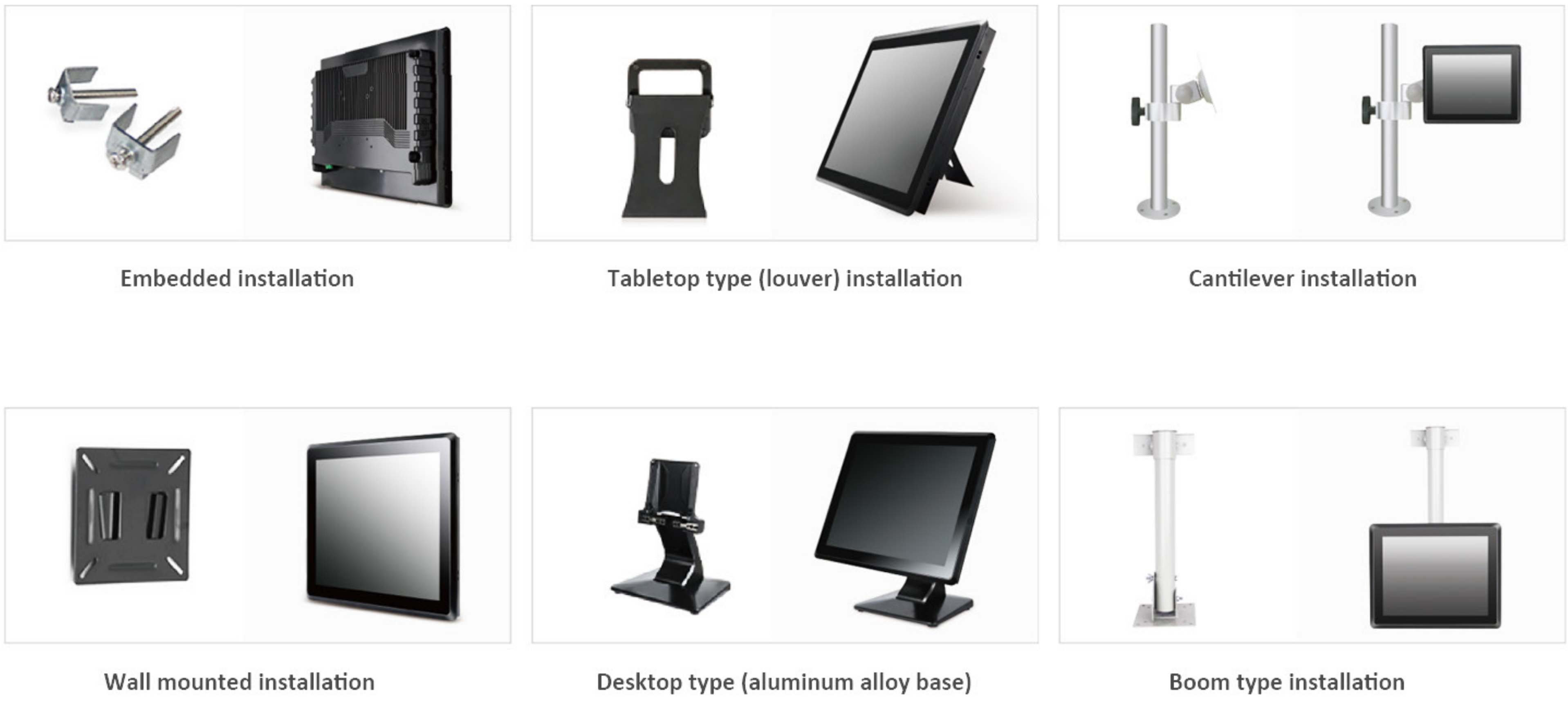
Front Panel IP65 Design, Water and Dust Proof



Dimension



Installation



Specification

General Info	Item No.	KT7F-Q2
	Material	Aluminum Alloy
	Color	Black/Silver
	IP Rating	IP65, Indoor&Outdoor Complied
	Certificate	CE FCC ISO ROHS
	Warranty	12 Months
	Avalability of Customization	Yes
Screen Info	Screen Size	7 Inch
	Resolution	1024*600
	Aspect Ratio	16:9
	Response Time	6.5ms
	Panel Type Industrial	Control A style TFT
	Contrast	500:1
	Backlight Type	LED,Lifespan≥50000h
	Display Color	16.7M
	Viewing Angle	75/75/70/75 (L/R/U/D)
	Brightness	300cd/m ²
	Touch Type	No Touch/Capacitive Touch
	Touches Cycles	≥50 Million Times
Interface Info	Signal Interface	DVI, HDMI, VGA
	Touch Interface	Ethernet to act as USB for touch
	Other Interfaces	Audio Input and Output
	Power Connector	DC with Ring Attachment (Optional DC Terminal Block)
Power Info	Power Supply	External Power Adapter 100-240V, 50-60HZ
	Monitor Input Voltage	12-24V
	Monitor Power	≤12W
	Dustproof and Waterproof	Front Panel IP65 Dustproof and Waterproof
	Installation Method	Embedded,Desktop,Wall-mounted,VESA ARM Optional
	Ambient Humidity	20%-95% (relative humidity non condensing)
	Working Temperature	-10°C - 60°C
Language Menu	Chinese,English,German,French,Korean, Spanish,Italian,Russian,Customized	