

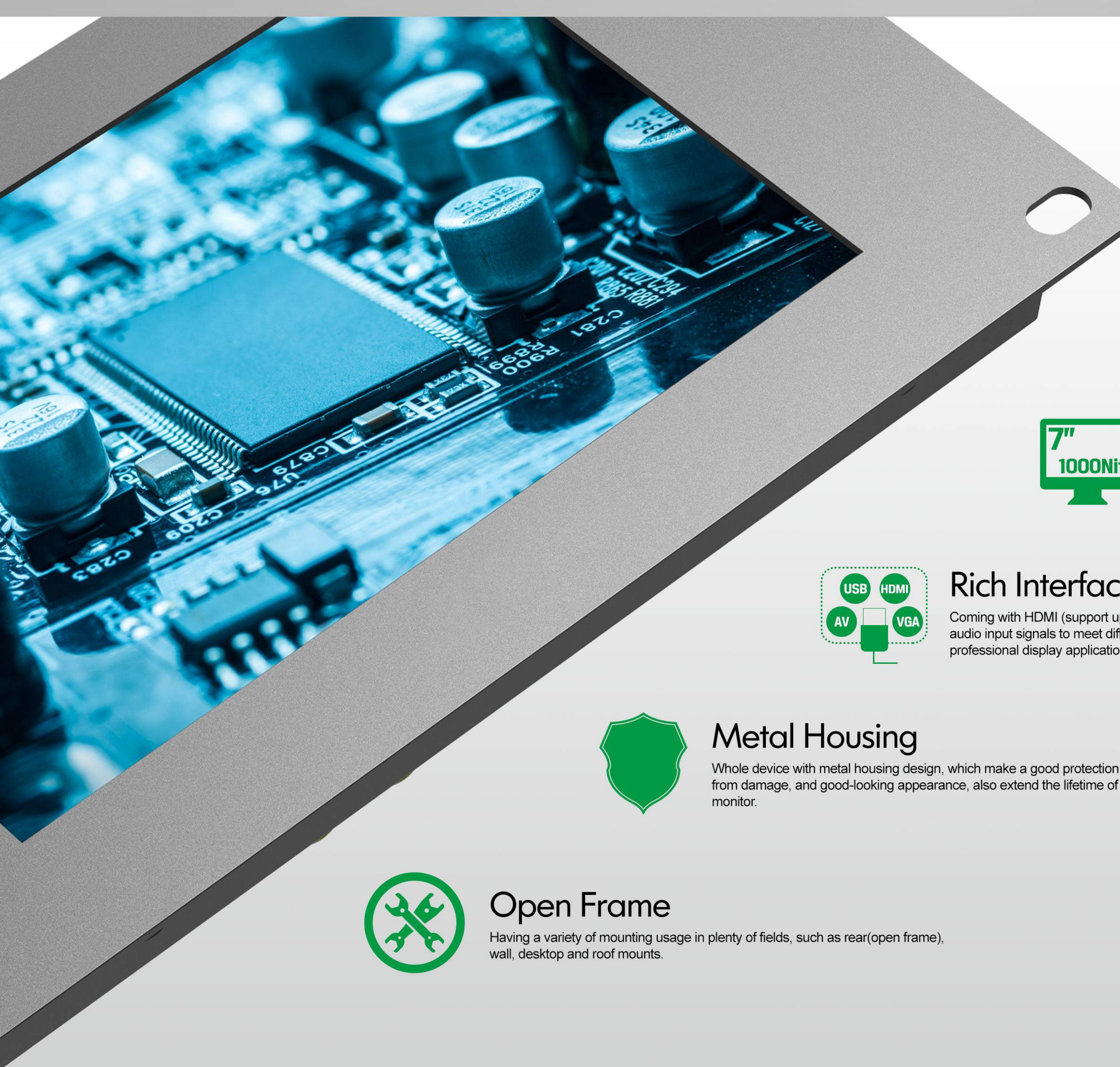
7" INDUSTRIAL TOUCH MONITOR

LED OPEN FRAME DESIGN FOR OPTIONAL

K700AT
K700A
(without touch function)

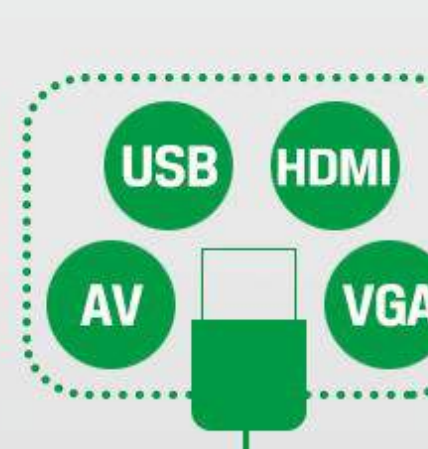
1000 NIT
HIGH BRIGHTNESS

4K HDMI
30HZ



Excellent Display

Attractive 16:9 aspect ratio 7 inch panel, which features with 800x480 resolution, 4-wire resistive touch, 140°/120° wide viewing angles, 500:1 contrast and 1000 cd/m² brightness, providing satisfied viewing experience.



Rich Interfaces

Coming with HDMI (support up to 4K 30Hz), VGA, AV & audio input signals to meet different needs of various professional display applications.



Metal Housing

Whole device with metal housing design, which make a good protection from damage, and good-looking appearance, also extend the lifetime of monitor.



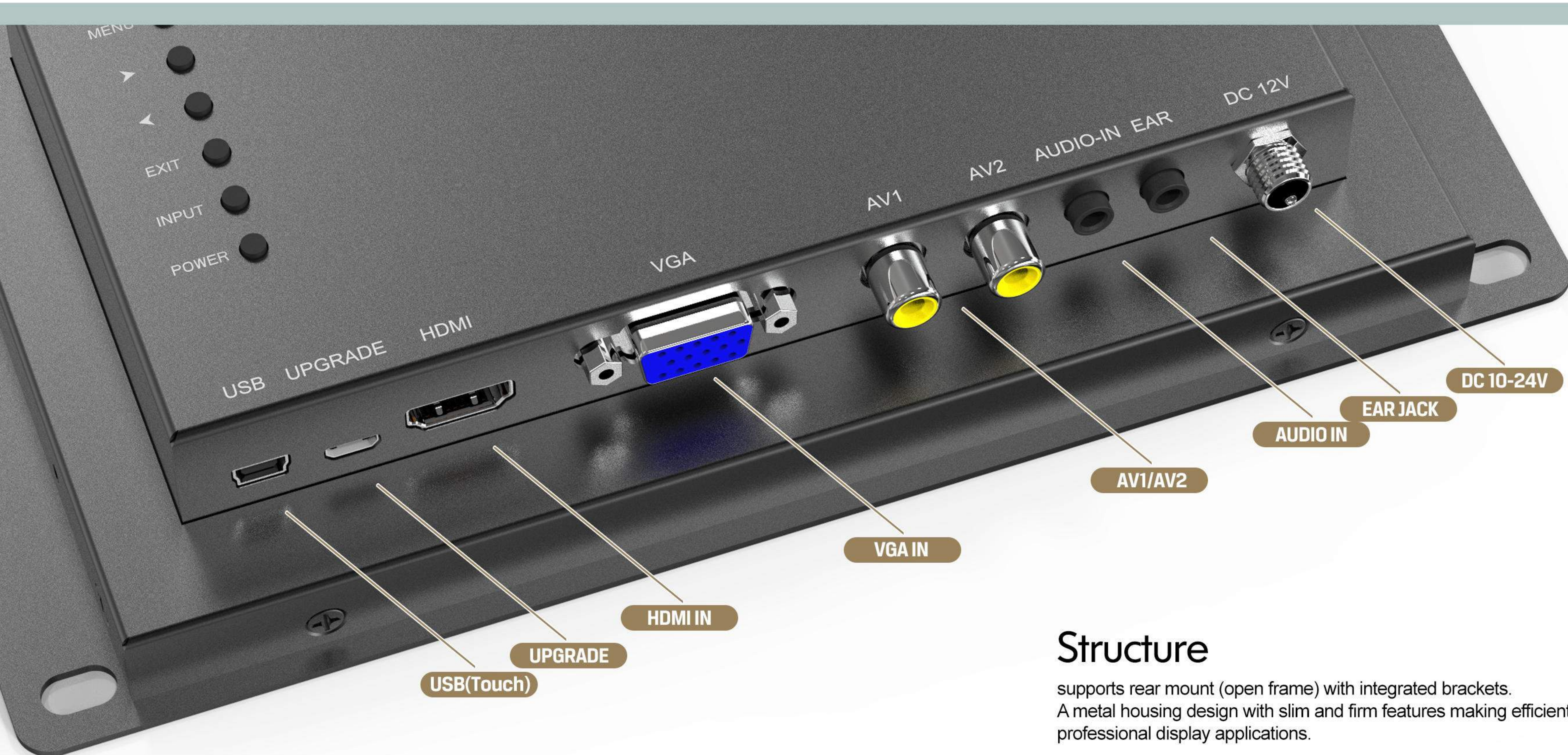
Open Frame

Having a variety of mounting usage in plenty of fields, such as rear(open frame), wall, desktop and roof mounts.



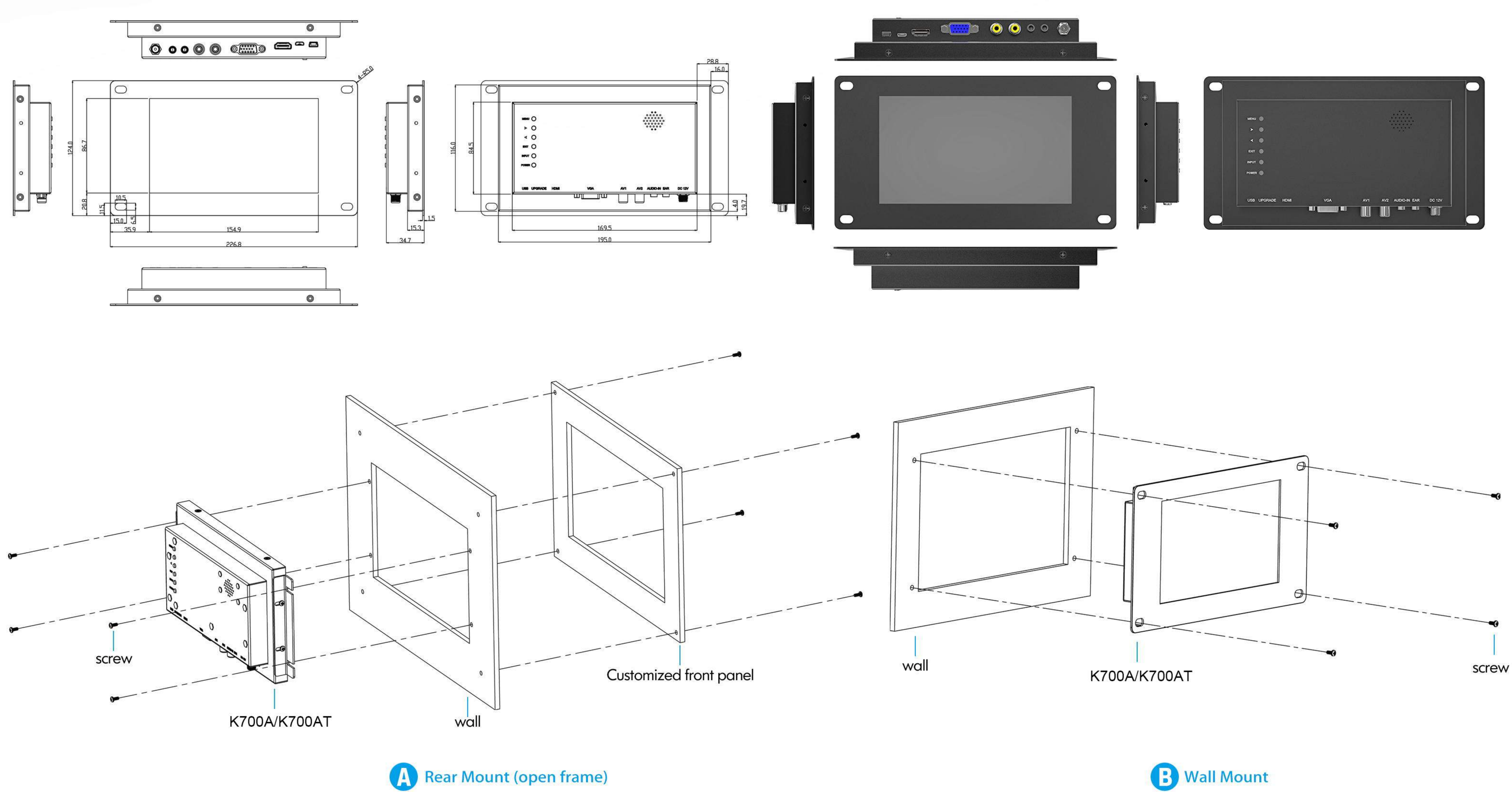
APPLICATION INDUSTRIES

Metal housing design which can be applied in different professional fields. For instance, Human-machine interface, entertainment, retail, supermarket, mall, advertising player, CCTV monitoring, numerical control machine and intelligent industrial control system, etc.



Structure

supports rear mount (open frame) with integrated brackets. A metal housing design with slim and firm features making efficient integration into embedded or other professional display applications.



SPECIFICATIONS | ACCESSORIES

DISPLAY	Display Screen	7"
	Resolution	800x480
	Aspect Ratio	16:9
	Touch Panel	4-wire resistive touch (K700AT)
	Contrast Ratio	500:1
INPUT AUDIO	Brightness	1000cd/m ²
	Viewing Angle	140°/120° (H/V)
	Input Signal	HDMI, VGA, AVx2, Audio
POWER	Speaker	1
	Input Voltage	DC 10-24V
	Current	700mA (12V)
	Power Consumption	≤8.5W
ENVIRONMENT	Audio Output	≤1W
	Operating Temperature	-20°C~60°C
DIMENSION	Storage Temperature	-30°C~70°C
	Dimension(LWD)/mm	225x116x33.2 (open frame) / 226.8x124x34.7
	Weight	950g(open frame) / 970g

ACCESSORIES	STANDARD	
	1. 12V DC adapter	1 piece
ACCESSORIES	2. VGA cable	1 piece
	3. RCA cable	1 piece
	4. HDMI A-A cable	1 piece
	5. Audio input cable	1 piece
	OPTIONAL	
ACCESSORIES	FOR TOUCH FUNCTION	
	1. USB cable (for touch function)	1 piece
	2. Touch driver disk	1 piece
3. Touch pen	1 piece	

Note: Due to constant effort to improve products and product features, specifications may change without notice.